



vers. 009

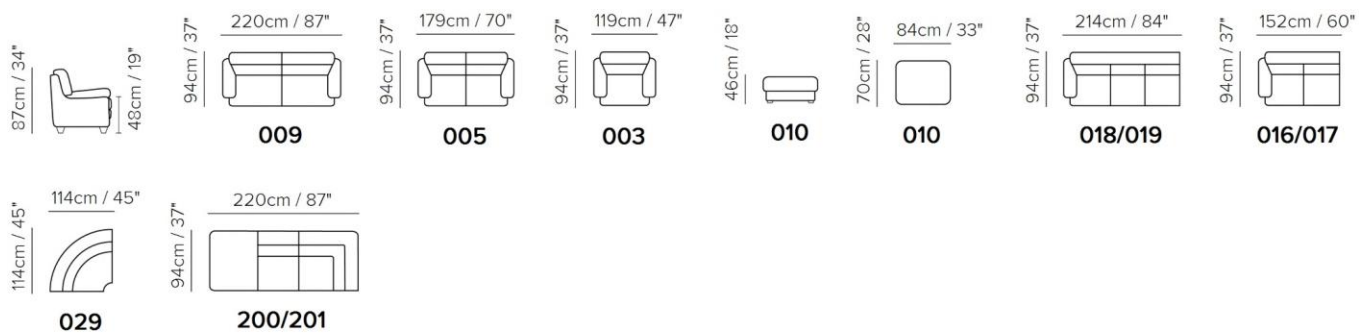


vers. 003

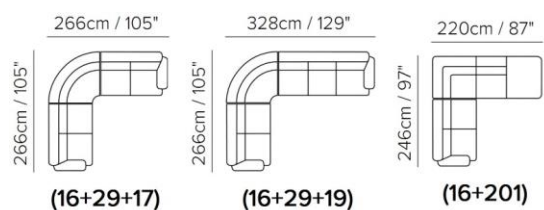


vers. 016 + 201

SCHEMATICS



COMPOSITION EXAMPLES



NOTES

- STITCHING ON THE SOFA DIFFERS ALL LEATHER AND/OR LEATHER-BONDED MIX: MODEL IN LEATHER-BONDED MIX HAS MORE CUTS.
- All arms, back and seat surfaces are covered in Top Grain.
- This model is available with split leather exterior covering.
- Tight Seat Cushion (the seat cushions of the models are fixed to the frame)
- Tight Back Cushion (the back cushions of the models are fixed to the frame)
- No Leather Side (the sectional pieces have the side covered with fabric and not leather)
- Wood Frame
- Without Feet Assembled (the feet will be in a bag inside the package)
- Plastic Wrap (the model will be wrapped in a plastic bag)
- Feet available in metal finishing 75 (Glazed Nickel)
- Feet height 14,0 cm
- TWO TONE COVERING OPTIONS:
 - 1° COV. = Frame
 - 2° COV. = Arms, seat and back cushions